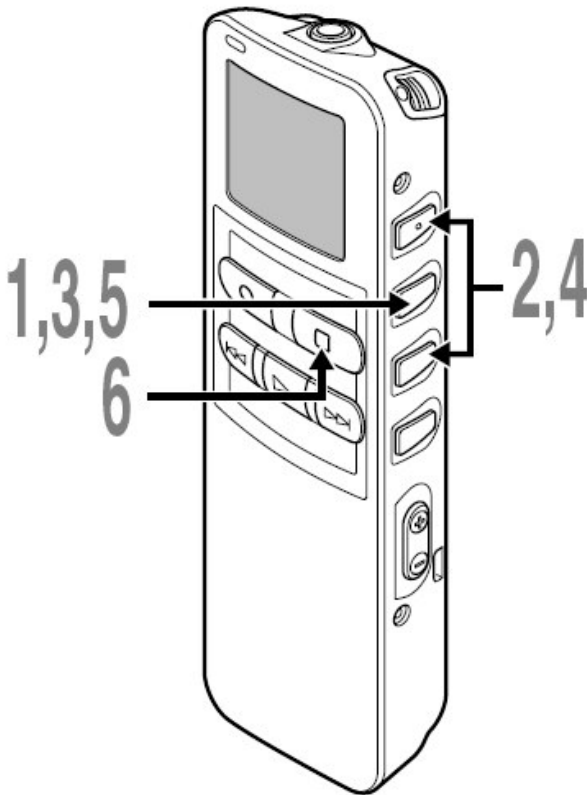


VCVA stands for Variable Control Voice Actuator

When the microphone senses that sounds have reached a preset threshold volume level, the built-in Variable Control Voice Actuator (VCVA) starts recording automatically, and stops when the volume drops below the threshold level. The VCVA feature extend recording time and conserve memory by turning off recording during silent periods. This helps make the playback, with no lulls or dead space, more efficient and convenient.



1 Press and hold the MENU/SET button for 1 second or longer.

The main menu opens

2 Press the ▼ or ▲ button to choose “VCVA”.

3 Press the MENU/SET button.
The VCVA setup process begins.

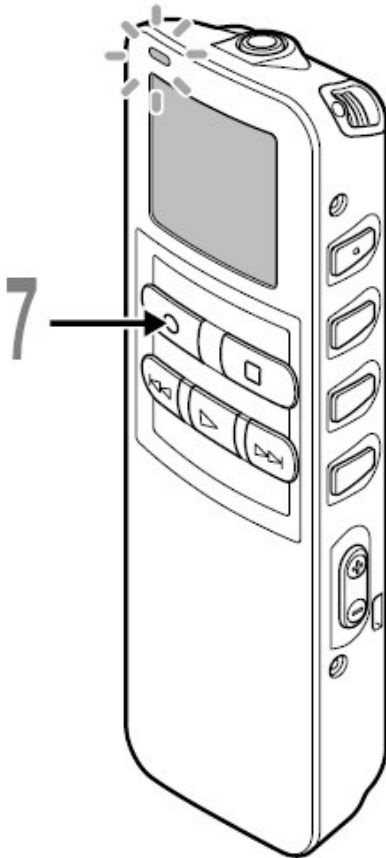
4 Press the ▼ or ▲ button to choose between “ON” and “OFF”.

ON: Will start recording in VCVA mode. OFF: Will resume recording in normal mode.

5 Press the MENU/SET button to complete the setup screen.

6 Press the STOP button to close the main menu.

When “ON” is selected, a VCVA indication will be displayed on the screen.



7 Press the REC button to start recording.

When the sound volume is lower than the preset threshold sound level, recording automatically stops after 1 sec approximately, and "STANDBY" flashes on the display. The record/play indicator lamp glows when recording starts and flashes when recording pauses.

Adjust the start/stop actuation level Press the FF or REW button to adjust the pause sound level during recording.

The VCVA level can be set to any of 15 different values. The higher the value, the more sensitive the recorder to sounds. At the highest value, even the faintest sound will activate recording.

The VCVA pause sound level can be adjusted according to the ambient (background) noise.

- Ⓐ Level meter (varies according to the sound volume being recorded)
- Ⓑ Start level (moves to the right/left according to the set level)

